

ref. 200904

**ENNEA**  
designed by Aitor García de Vicuña



54,2 kg



0,36 m<sup>3</sup>



Ok



100x8 mm.



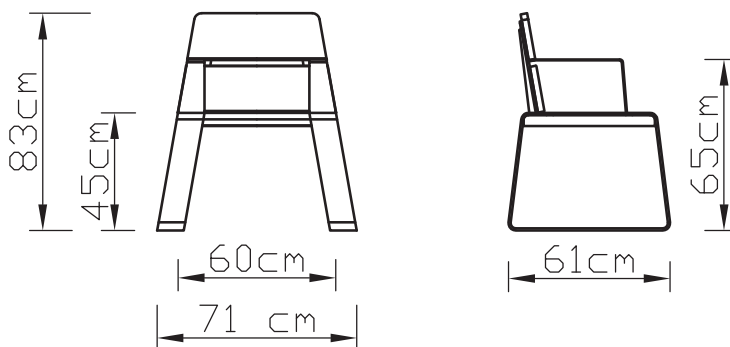
145-95x45 mm



175x35 mm.



ref. 200904S



Lyssstrasse 51

3270 Aarberg

Telefon: 032 391 71 00  
Fax: 032 391 71 05

E-Mail: [info@activasport.ch](mailto:info@activasport.ch)  
Internet: [www.activasport.ch](http://www.activasport.ch)

**ACTIVA**  
**SPORT**

GmbH